

MFJ-1782 *Super Hi-Q Loop*[™] Antenna

CAUTION! Do Not Attempt Operation Of This Unit Before Reading All Instructions

The MFJ Super Hi-Q Loop is the best performing and most convenient small space antenna available to amateurs today. This antenna is only 36 inches in diameter and features an indoor tuning unit. All tuning and control voltages are coupled to the antenna through the coaxial feedline for simple, neat, one wire installation.

The loop antenna element is constructed from thick walled aluminum pipe. Every current carrying joint is welded to eliminate high resistance pressure contacts that reduce efficiency. The loop element is tuned with a low-resistance, high current, variable capacitor. The outdoor electrical and mechanical components are protected by an attractive weather resistant molded cover.

WARNING! Never mount this, or any other antenna near power lines or utility wires!! Any materials: ladders, ropes, or feedlines, that contact power lines can conduct voltages that kill. Never trust insulation to protect you. Stay away from all power lines.

THEORY OF OPERATION

When resistive losses in a small loop antenna are kept low, a small loop antenna will transmit nearly as well as a full size dipole. MFJ was able to make this small loop antenna radiate nearly as well as a full size dipole by paying special attention to the electrical and mechanical construction of this antenna.

Because radio frequency currents primarily flow near the thin, outer edges of flat conductor loops, flat conductor loops will have much higher RF losses. To avoid this problem the MFJ Super Hi-Q Loop uses a thick wall, large diameter, round aluminum pipe for the radiating element. This construction method results in much better performance since the RF losses in the round, large diameter pipe are many times lower than the losses in a flat conductor.

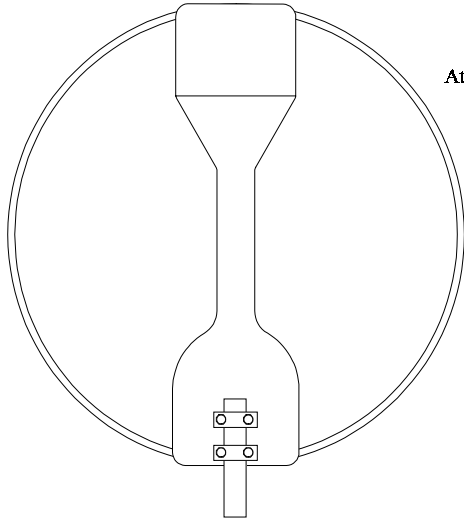
MFJ forms the large diameter aluminum pipe into a circle on special machines and heli-arc welds all joints to eliminate resistive pressure connections in the antenna. A specially constructed butterfly capacitor using arc-welded construction has much lower loss resistance than conventional, less expensive, pressure contact, air variable capacitors.

The care and expense used in selecting the best materials, not the most convenient materials, has resulted in an extremely efficient small size antenna. Extensive "on the air" tests have confirmed that most stations can detect little difference between the signal from the MFJ Super Hi-Q Loop and the signal from a full size dipole at the same height.

PATTERNS, POLARIZATION AND LOCATION

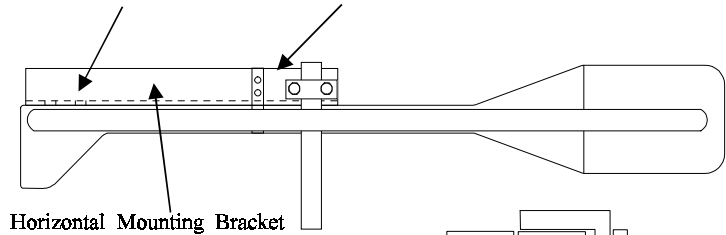
This loop antenna can be mounted to provide either vertical or horizontal polarization. To mount this antenna for vertical polarization the loop should be mounted standing up. To mount the loop for horizontal polarization the loop should be mounted so it lays flat. See Figure 1.

Vertical Mounting



Horizontal Mounting

Attach the horizontal mounting bracket with 4, 1/4-20, 1/2 inch long machine screws. Secure the mounting strap with 2, #6 3/8 inch self-tapping screws on each side.



Horizontal Mounting Bracket

Mast may be from 1 to 1 1/2 inches in diameter

Each set of mast saddles is attached with one saddle plate and 2, 1/4-20, 2 1/2 inch long bolts

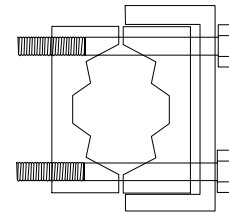


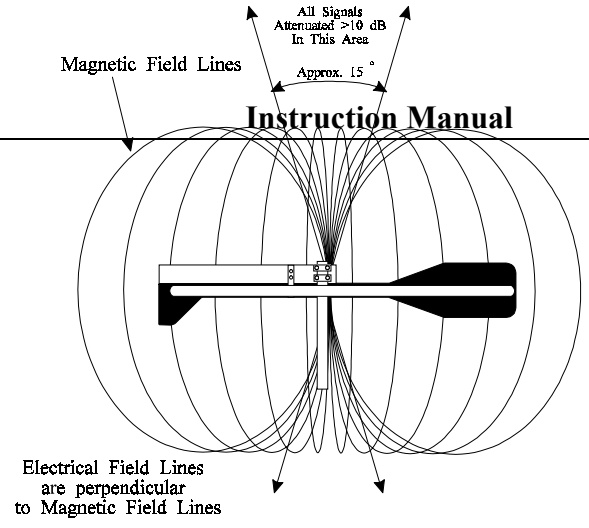
Figure 1

The radiation pattern of a small loop antenna is essentially omni-directional with the exception of two very narrow nulls in the axis of the loop. If you visualize the loop as a wheel, the nulls are in the same directions that the wheel's axle would run. Signals will be attenuated more than 10 dB if they arrive within 15 degrees of the axis of the loop. See Figure 2.

In general this antenna, like most others, should be mounted as far away from and as high above other objects as possible. The null (or broadside axis) of the loop should be placed in line with the direction that you do not want to transmit or receive. **If the loop can not be mounted more than 20 feet above ground** or above a metal roof the best mounting arrangement will be with the loop vertical. If the loop is mounted over 20 feet above the ground (or ground plane) a horizontally mounted loop will probably be the most satisfactory.

Figure 2

MFJ-1782 Super Loop™ Antenna



Nulling unwanted signals:

The narrow loop nulls can be used to reduce interference from undesired directions if the unwanted signal is coming from a fixed direction and wave angle. The narrow null pattern usually makes tilting the loop a requirement to null sky wave signals. Because of the constantly changing angle and direction of sky wave signals the nulls of the loop are probably most useful for eliminating ground wave interference, although they can be effective on some sky wave signals.

Other examples of using the null can be understood if we consider a loop antenna located on a roof. By mounting the antenna horizontally above the middle of the roof the null can be positioned directly below the antenna (through the building). This mounting arrangement helps receiving by reducing the noise pick-up from devices in the building and helps transmitting because energy is not coupled into the building's lossy structure. RFI in the building will also be reduced because the signal transmitted into the building is weaker. See Figure 3.

Some skywave signals can be nulled

Figure 3

Vertical Polarization:

When the loop is mounted to provide vertical polarization the pattern is vertically polarized in line with the loop element. There will still be a large amount of horizontally polarized radiation broadside to the loop, especially if the ground under the loop is less than perfect or if the loop is mounted some distance above the ground.

The broadside horizontal radiation that occurs in a small vertical loop is mostly above 10 degree wave angles and extends straight above the loop and to the opposite 10 degree elevation point.

True vertical polarization occurs only in line with the loop. As you move around the loop towards the sides the pattern "skews" and eventually becomes completely horizontal broadside to the loop. See Figure 4.

Unlike linear verticals, vertically polarized small loops also radiate straight up and down from the antenna. This high angle radiation can be used to cover short distances by sky wave. The high angle horizontal radiation in a vertically polarized loop antenna occurs because the ground below the loop is either too far away or is not a good enough RF reflector to cancel the horizontal radiation component of the vertical loop.

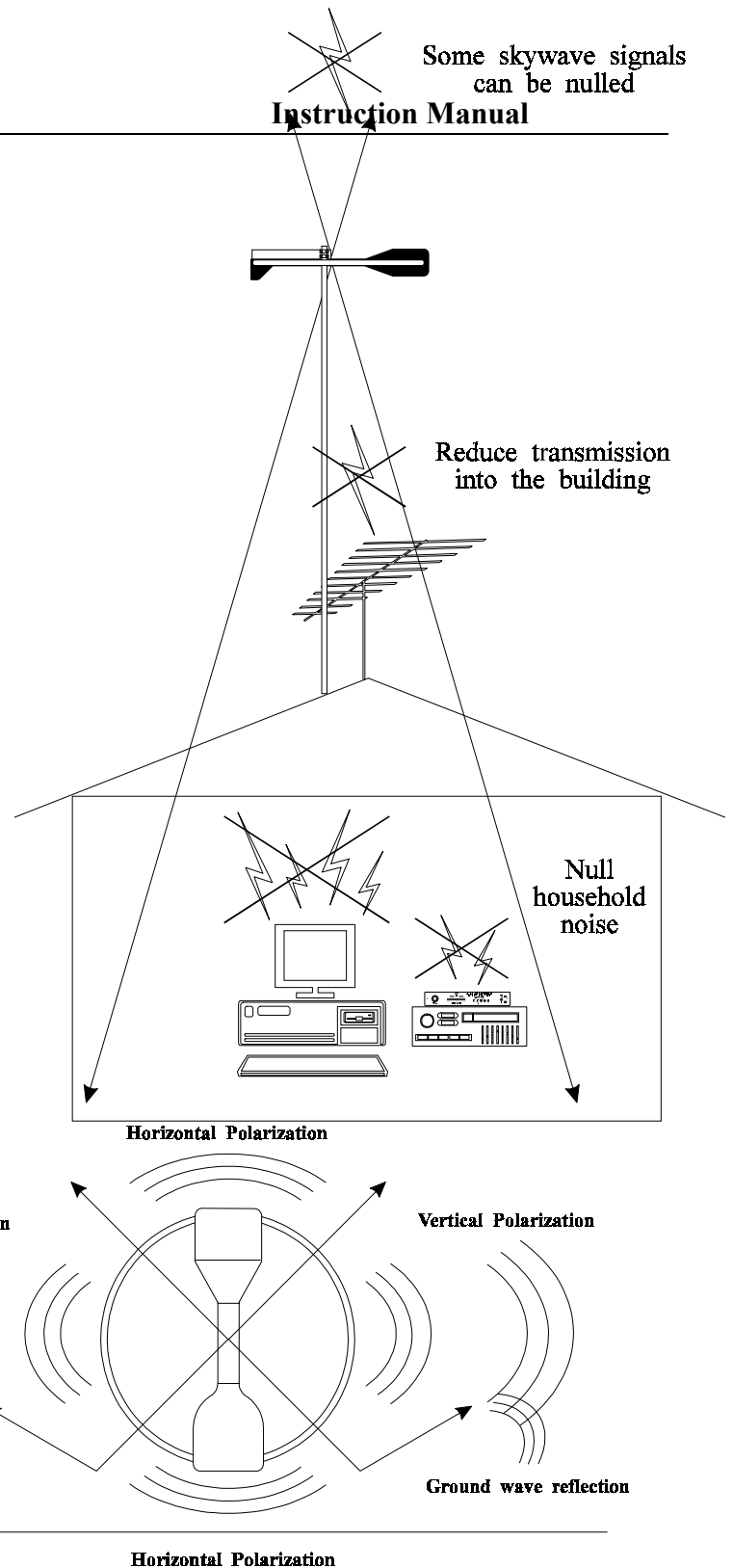


Figure 4

This effect can be reduced by laying a screen or grid of wires that extend for at least 20 feet each direction from the antenna just below the a vertically mounted loop antenna, or mounting the loop vertically over a large metal roof.

Horizontal Polarization:

Horizontal mounting of the loop antenna results in an omni-direction, horizontally polarized pattern that has a null straight up in the air and straight below the center of the antenna. This means that any ground reflection will tend to cancel the radiation along the horizon, and also at low wave angles unless the loop is mounted some distance above ground. Mounting a horizontal SMALL loop antenna just above a good reflecting ground will practically guarantee no useful signal in any direction!

Note: Do not expect the best results if you mount this loop antenna horizontally if it is less than 20 feet above a metal roof or other ground plane!

Since ground wave signals only propagate well along the earth when they are vertically polarized, a horizontally polarized loop may not respond to some local noise sources. Like all other antennas, a small loop is generally a quieter receiving antenna when horizontally polarized. This also means that a horizontally polarized loop is not a good choice for local ground wave communications. It is an excellent choice for medium to long distance sky wave communications, however.

OUTDOOR LOOP INSTALLATION

The MFJ Super HI-Q Loop has two mounting clamps that are held in place by four 7/16" hex head bolts. The mounting clamps accept masts up to 1-1/2" outside diameter.

IMPORTANT Follow the following rules when mounting the antenna:

- 1 - The black housing on the loop element has drain holes for moisture. Never seal the drain holes.
- 2 - The coax connector must always be at the bottom of the antenna when the antenna is mounted vertically or pointed towards the ground when the antenna is mounted horizontally.
- 3 - If the loop is mounted **vertically** do not extend the mast more than two inches beyond the mounting clamps or the tuning and operation of the loop may be compromised.
- 4 - If the loop is mounted **horizontally** the weight of the loop will be off center on the mast. A non-metallic nylon or polypropylene rope from a three foot extension of the mast to outer loop end will help reduce stress on the mounting clamp and the mast. **Attach the rope first** and then adjust the height of the mounting point of the loop on the mast until the loop is suspended horizontally by the rope before clamping the loop in place. Refer to Figure 1.
- 5 - Always support the coax by securing it to the mast just below the mounting clamps. Never let the weight of the coax hang on the connector. Some improvement in lightning protection of the loop electronics can be achieved by coiling and taping the coax into a two turn, one foot diameter, loop between the antenna and the mast. Be sure this lightning retarding loop is below the plane of the antenna and at right angles to it.
- 6 - If you use "coax seal" use it **sparingly**. Seal only the area near the top of the loop's female connector and the knurled area of the male coax connector. **Sealing the bottom gap in the male**

coax fittings outer shell, or the gap between the black housing and the connector on the loop, prevents condensation from draining out of the connectors and the loop housing.

Note: The best material used to seal connectors is either GE Dielectric Silicone Compound or a clear silicone heat sink compound. Use sealing compounds sparingly on the threads of coax connectors. This is the same type of waterproofing material used by CATV and commercial antenna installers with good success.

7 - The mast or supporting structure should be galvanized steel or thick walled aluminum mast and at least 1-1/4" OD. **Do not use thin wall aluminum tubing or standard steel electrical conduit to support the loop.** The mast should be supported or guyed as close to the mounting point of the loop as possible and **Never** more than five feet below the loop. Non-conductive guy lines or guy lines with insulators installed to break the guy into 13 feet or shorter lengths should be used. This is especially important within 20 feet of the loop.

8 - The mast should be grounded for lightning protection and electrical safety. The coax feedline should be dressed down the mast and have it's shield grounded at the point where it enters a building for lightning protection.

WARNING! Never mount this, or any other antenna near power lines or utility wires!! any materials: ladders, ropes, or feedlines, that contact power lines can conduct voltages that kill. Never trust insulation to protect you. Stay away from all power lines.

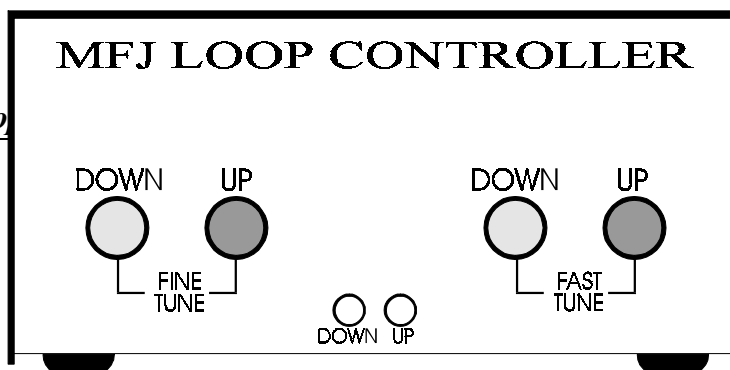
This antenna can be used inside a wooden or non-metallic building with some reduction in performance. Caution must be used when this antenna is used indoors because the antenna generates strong electromagnetic fields. These fields can induce considerable RF currents into wiring and other metallic items. A secondary concern is that the effects of RF fields on humans is not yet fully understood.

WARNING: Never operate this antenna where people are subject to high levels of RF exposure, especially above 10 watts or above 14 MHz.

WARNING: Never use this antenna near RF sensitive medical devices such as pacemakers.

INDOOR CONTROLLER BOX INSTALLATION

Figure 5



FRONT

Warning: Do not install any devices between the controller box and the loop anything causes a or short between the center conductor of the coax and ground the control box or power supply will be damaged.

not install any the controller box antenna!! If low DC resistance

The controller box of the MFJ Super Hi-Q Loop can be installed at any position that allows easy access to the controls of the unit and the transceiver. The coax lines should be good quality 50 ohm lines and be kept reasonably short to reduce losses. If you use quality low-loss cable the exact lengths used are not important and will not effect the operation or SWR of the system.

If you are using a lossy cable between your antenna and controller and have problem tuning, the easiest way to correct the problem is to get better quality cable.

You must only use the MFJ-1312B supply or batteries to operate this unit. If you chose to use an other power supply to power this unit, the power supply must not have a common ground with anything else in your radio system.

CAUTION! THE POWER SUPPLY OF THIS UNIT MUST NOT BE GROUNDED! IF EITHER THE POSITIVE OR NEGATIVE LEADS ARE GROUNDED THE CONTROL UNIT WILL BE DAMAGED! USE ONLY THE MFJ-1312B SUPPLY WITH THIS UNIT!

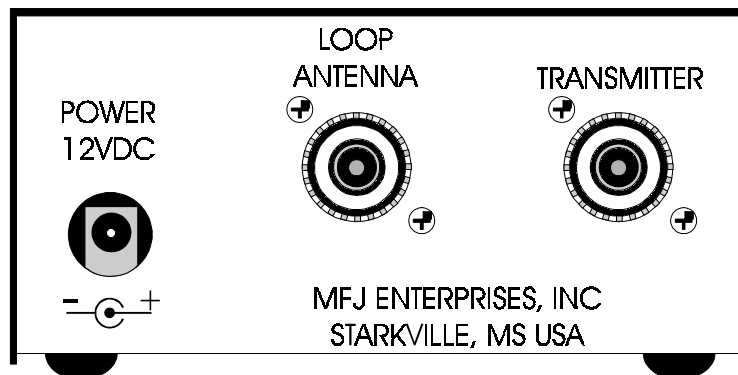


Figure 6

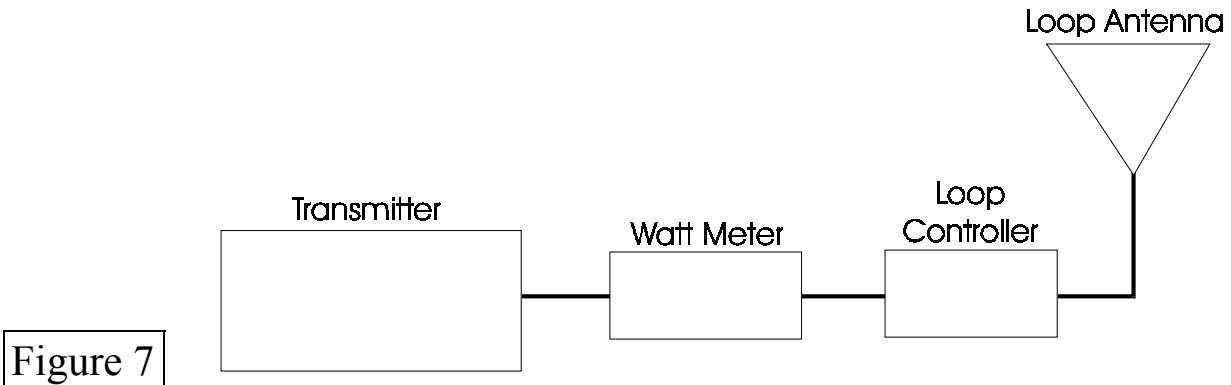
BACK

CONTROLLER BOX OPERATION

Warning: Do not install any devices between the controller box and the loop antenna!! If anything causes a low DC resistance or short between the center conductor of the coax and ground the control box or power supply will be damaged.

NOTE

In order to operate this antenna and be able to tune it, a wattmeter (capable of reading forward and reflected power), or an SWR meter is required. This extra meter should be placed in between the transmitter and the controller box of the system. (see figure 7)



The controller box supplies control voltages to the loop antenna through the coaxial feedline. These voltages are low voltage and low current so that the length of the coaxial line does not affect the operation of the motor. It is important that the feedline remain water-free and that there are no short circuits between the center conductor and the shield of the feedline.

The controller box has four buttons and two LED in the front panel (see figure 5). Buttons and LED's are grouped in groups with up and down labels where the up and down represent up and down in frequency respectively. The buttons groups are as follow: the **FAST TUNE** and the **FINE TUNE**.

The **FAST TUNE** group is used to move the capacitor rotor fast to the tuning position

The **FINE TUNE** group is used to move the capacitor rotor slow to the tuning position in order to optimize the SWR.

The MFJ-1782 controller box requires a 9-15 VDC, **ungrounded power supply**. The power jack accepts a 2.1 mm coaxial plug with the center conductor positive. The MFJ-1312B power supply will supply the correct power to the controller box. The correct supply voltage is 9-15 VDC. There is also an internal battery connection that uses two 9 volts batteries for portable operation.

The controller box draws approximately 20 mA while tuning (because of the tuning motor in the loop and the LED's).

CAUTION! TO PREVENT DAMAGE TO CONTROLLER BOX:

- *Never connect a grounded power supply to the input jack.*

- *Never connect the power supply that is being used with this unit to ANY other device or controller box.*
- *Never exceed 15 VDC of well filtered dc input to the controller box power jack.*
- *Never connect any tuner, meter, switch, or other device between the controller box and the loop antenna.*
- *Always disconnect the antenna from this controller box during lightning storms and unplug the power supply.*
- *Always ground the controller box to the station ground buss.*
- *Never transmit with more than 150 watts through the controller box.*
- *Always ground the shield of the feed line to a good earth ground at the entrance of the building for lightning and RF protection.*

TESTING AND OPERATION

Warning! Connecting a power supply that has outputs grounded to chassis or earth ground will result in damage to the controller box.

To test your new installation and familiarize yourself with tuning the loop antenna, follow this procedure:

- 1 - With power disconnected, set the group **FAST TUNE** switches in the OFF position (out).
- 2 - Connect the loop coax feedline to the proper connector on the rear panel of the controller box.
Failure To Connect The Coaxial Leads To The Correct Connectors On The Controller Box Can Damage The Controller Box Or Other Equipment! See figure 6. Be sure the cable to the transceiver and the power supply (if used) are connected.
- 3 - Plug the power supply into an 110Vac outlet.
- 5 - Cycle the loop to the bottom of it's tuning range by pushing in the **Fast Tune** "DOWN" button. The frequency "DOWN" LED should light until the loop reaches the end of the tuning capacitors rotation (20-45 seconds) and then extinguish. release the "DOWN" button.
- 6 - Cycle the loop to the top of it's tuning range by pressing the **Fast Tune** "UP" button. The **FREQ** "UP" LED should light until the loop reaches the highest frequency and extinguish (approx. 20-45 seconds). release the "UP" button.
- 7 - Repeat the two previous steps using the **Fine Tune** "DOWN" and "UP" buttons. The "DOWN" or "UP" LED should flash off and on while the loop is tuning then extinguish when the upper or lower tuning range is reached.

IF ALL OF THE TESTS WORK YOU ARE READY TO APPLY **RF** TO YOUR NEW ANTENNA. CONTINUE WITH THE FOLLOWING:

- 8 - Adjust your transmitter to any desired frequency between 10.1 and 29.7 MHz and apply a small amount of **unmodulated carrier** to the loop between 1 and 15 watts.

9 - Press the **Fast Tune** "DOWN" Button while carefully monitoring the reflected power if a power meter is being used, or the SWR if an SWR meter is being used. The frequency "DOWN" LED should light and the capacitor should turn. While carefully monitoring the meter used, watch for a sharp dip on the meter. When a dip is located, release the **Fast Tune** "DOWN" button quickly.

10 - If you pass the dip simply use the **Fine Tune** buttons in the reverse direction to bring the capacitor back to the tuning position with the lowest SWR.

Note: The tuning of this antenna is very sharp due its high Q and narrow bandwidth (few KHz). Watch you meter carefully while tuning

Now you have successfully tested and operated your MFJ "Super Hi-Q Loop" installation. You should now be familiar enough with the controller box and its controls buttons.

Please remember the followings while tuning your antenna

THE TUNING OF THIS ANTENNA IS VERY SHARP due to the extremely high "Q" of the loop. The same thing that makes the loop work so well is what makes the tuning so sharp. If you move more than a few KHz in frequency you will probably want to adjust the SWR. After you use the antenna experience will help you decide when to use the **Fast Tune** or **Fine Tune** buttons.

TO PROPERLY TUNE THE LOOP ANTENNA on **Fast Tune**, the controller box must have between 100 mW and one hundred watts of RF power at the desired operating frequency applied to it, with one to 15 watts being the best power range. Although very little power can be radiated until the loop is tuned, please use the least power necessary during tuning , **Always check frequency before tuning, to avoid causing interference.**

GENERAL OPERATION AND TROUBLESHOOTING

After you have tested the loop as described in the TESTING AND OPERATION section you are ready to learn the *short-cuts* necessary for easy, day to day, use of this antenna. The following section will help you learn these *short-cuts*, as well as locate any problems that may occur with your new antenna system.

There are two basic methods that you can use to tune the antenna during daily operation. One method requires you to know whether the new frequency is higher or lower than the last frequency used, the other method must be used when you can't recall the last frequency where the loop was used.

TUNING WHEN YOU DO NOT KNOW THE LAST OPERATING FREQUENCY

If you ever loose track of the last frequency the loop was used on you should follow this procedure:

1 - Press the **Fast Tune** "UP" button. The frequency "UP" LED should light as the loop moves to the highest frequency range. After the LED goes out, release the **Fast Tune** "UP" button.

- 2 - Select the proper wattmeter range for the power you intend to use in tuning the loop, then switch to reflected power. Transmit a steady, low power, **unmodulated carrier** on the desired operating frequency.
 - 3 - Press the **Fast Tune** "DOWN" button while carefully watching the SWR or the reflected power meter for a dip and be ready to release the **Fast Tune** "DOWN" button at this instant.
 - 5 - Press or tap on the required **Fine Tune** button while carefully watching the SWR or the reflected power meter. This adjustment is very sharp and you may pass the lowest SWR point slightly.
 - 6 - Tap the other **Fine Tune** button until the reflected power is as low as possible.
- You are now done tuning the loop. Any small changes in frequency can be handled by using the **Fine Tune** buttons.

TUNING WITH A KNOWN DIRECTION OF FREQUENCY MOVEMENT

This method of tuning should be used when you know what direction the antenna needs to move. If the change is small then only the **Fine Tune** buttons need to be used (go to step 4).

- 1 - Adjust the transmitter to the new frequency and transmit a steady, **unmodulated carrier** (1-15w is ideal).
- 2 - Press the appropriate **Fast Tune** button in and observe the SWR or the reflected power meter. The LED should light while searching for the new tuning position at this frequency.
- 3 - After the reflected power goes through a dip release the **Fast Tune** button.
- 4 - Press or tap the appropriate **Fine Tune** button while carefully watching the SWR or the wattmeter's reflected power for the lowest reading. BE ALERT. This dip is very sharp.

After the lowest SWR point is reached you are ready to begin operating.

TROUBLE SHOOTING

The following suggests the most likely causes of abnormalities in operation:

If the LED's dim suddenly any time during operation.

Check that the coax is connected properly.

Check for a short from the antenna coax center conductor to ground.

Check for a short from the DC power supply to chassis ground.

If you push a Tune button and the Tune LED stays on for more than 40 seconds.

Check for moisture in the feedline or antenna.

If you press a Tune button and an LED does not light.

Check to see if you are at the end of the tuning range (press the other tune button, LED will light).
Make sure one of the Fast tune buttons are not latched.
Check for a open in the coax between the controller and the antenna.

If you tune throughout the entire range of the antenna and get no SWR dip.

Check the mounting of the antenna (too close to a building, or other improper mounting, etc.).
Check that you are transmitting within the range of this antenna (10.1MHz - 29.7MHZ).

If the meter did not dip while tuning

Check to make sure that your tuning signal is an *unmodulated carrier*

If the meter dips, but the slow buttons will not tune the antenna.

The slow speed buttons may be pulsing too slow to overcome the backlash spring tension. Remove the cover of the controller box and find R1 While holding one of the slow tune buttons adjust R1 for a faster pulse (LED blinks Brighter). Test for tuning across the bands. Replace the cover.

If the slow tune buttons are too fast to tune properly.

AS IN ABOVE ADJUSTMENT OF R1 IS NECESSARY. ADJUST R1 FOR A SLOWER PULSE (LED BLINKS DIMMER). NOTE THAT IMPROPER ADJUSTMENT OF R1 WILL CAUSE THE PROBLEM ABOVE. CHECK FOR TUNING ON ALL BANDS BEFORE REINSTALLING THE COVER.

TECHNICAL ASSISTANCE

If you have any problem with this unit first check the appropriate section of this manual. If the manual does not reference your problem or your problem is not solved by following the manual you may call MFJ toll-free at 1-800-647-TECH (8324) or FAX to 601-323-6551, or TELEX 53 4590 MFJ STKV. Outside of the continental U.S.A. 601-323-5869. You will be best served if you have your unit, manual and all information on your station handy so you can answer any questions the technicians may ask.

You can also send questions to MFJ Enterprises, INC., P.O. Box 494, Mississippi State, MS 39762. Send a complete description of your problem, an explanation of exactly how you are using your unit and a complete description of your station

FULL 12 MONTH WARRANTY

MFJ Enterprises, Inc. warrants to the original owner of this product, if manufactured by MFJ Enterprises, Inc. and purchased from an authorized dealer or directly from MFJ Enterprises, Inc. to be free from defects in material and workmanship for a period of 12 months from date of purchase provided the following terms of this warranty are satisfied.

1. The purchaser must retain the dated proof-of-purchase (bill of sale, canceled check, credit card or money order receipt, etc.) describing the product to establish the validity of the warranty claim and submit the original or machine reproduction of such proof of purchase to MFJ Enterprises, Inc. at the time of warranty service. MFJ Enterprises, Inc. shall have the discretion to deny warranty without dated proof-of-purchase. Any evidence of alteration, erasure, or forgery shall be cause to void any and all warranty terms immediately.
2. MFJ Enterprises, Inc. agrees to repair or replace at MFJ's option without charge to the original owner any defective product provided the product is returned postage prepaid to MFJ Enterprises, Inc. with a personal check, cashiers check, or money order for **\$7.00** covering postage and handling.
3. MFJ Enterprises, Inc. will supply replacement charges free of charge for any MFJ product under warranty upon request. A dated proof of purchase and a **\$5.00** personal check, cashiers check, or money order must be provided to cover postage and handling.
4. This warranty is **NOT** void for owners who attempt to repair defective units. Technical consultation is available by calling (601) 323-5869.
5. This warranty does not apply to kits sold by or manufactured by MFJ Enterprises, Inc.
6. Wired and tested PC board products are covered by this warranty provided **only the wired and tested PC board product is returned**. Wired and tested PC boards installed in the owner's cabinet or connected to switches, jacks, or cables, etc. sent to MFJ Enterprises, Inc. will be returned at the owner's expense unrepaired.
7. Under no circumstances is MFJ Enterprises, Inc. liable for consequential damages to person or property by the use of any MFJ products.
8. **Out-of-Warranty Service:** MFJ Enterprises, Inc. will repair any out-of-warranty product provided the unit is shipped prepaid. All charges will be shipped COD to the owner.
9. This warranty is given in lieu of any other warranty expressed or implied.
10. MFJ Enterprises, Inc. reserves the right to make changes or improvements in design or manufacture without incurring any obligation to install such changes upon any of the products previously manufactured.
11. All MFJ products to be serviced in-warranty or out-of-warranty should be addressed to **MFJ Enterprises, Inc., 921A Louisville Road, Starkville, Mississippi 39759, USA** and must be accompanied by a letter describing the problem in detail along with a copy of your dated proof-of-purchase.
12. This warranty gives you specific rights, and you may also have other rights which vary from state to state.