

## Full 12 MONTH WARRANTY

prises, Inc. Warrants to the original owner of this product, if manufactured by MFJ

s, Inc. and purchased from an authorized dealer or directly from MFJ Enterprises, Inc. from defects in material and workmanship for a period of 12 months from date of

The purchaser must retain the dated proof-of-purchase (bill of sale, canceled check, credit card or money order receipt, etc.) describing the product to establish the validity of the warranty claim and submit the original of machine reproduction or such proof-of-purchase to MFJ Enterprises, Inc. at the time of warranty service. MFJ Enterprises, Inc. shall have the discretion to deny warranty without dated proof-of-purchase. Any evidence of alteration, erasure, or forgery shall be cause to void any and all warranty terms immediately.

MFJ Enterprises, Inc. agrees to repair or replace at MFJ's option without charge to the original owner any defective product under warranty, provided the product is returned postage prepaid to MFJ Enterprises, Inc. with a personal check, cashier's check, or money order for \$7.00 covering postage and handling.

MFJ Enterprises, Inc. will supply replacement parts free of charge for any MFJ product under warranty upon request. A dated proof-of-purchase and a \$5.00 personal check, cashier's check, or money order must be provided to cover postage and handling.

This warranty is NOT void for owners who attempt to repair defective units. Technical consultation is available by calling (601) 323-5869.

This warranty does not apply to kits sold by or manufactured by MFJ Enterprises,

Wired and tested PC board products are covered by this warranty provided on the wired and

tested PC board product is returned. Wired and tested PC boards installed in the owner's cabinet or connected to switches, jacks, or cables, etc. sent to MFJ Enterprises, Inc. will be returned at the

Under no circumstances is MFJ Enterprises, Inc. liable for consequential damages to person property or the use of any MFJ products.

Out-of-warranty Service: MFJ Enterprises, Inc. will repair any out-of-warranty product provided the unit is shipped prepaid. All repaired units will be shipped COD to the owner. Repair charges will be added to the COD fee unless other arrangements are made.

This warranty is given in lieu of any other warranty expressed or implied.

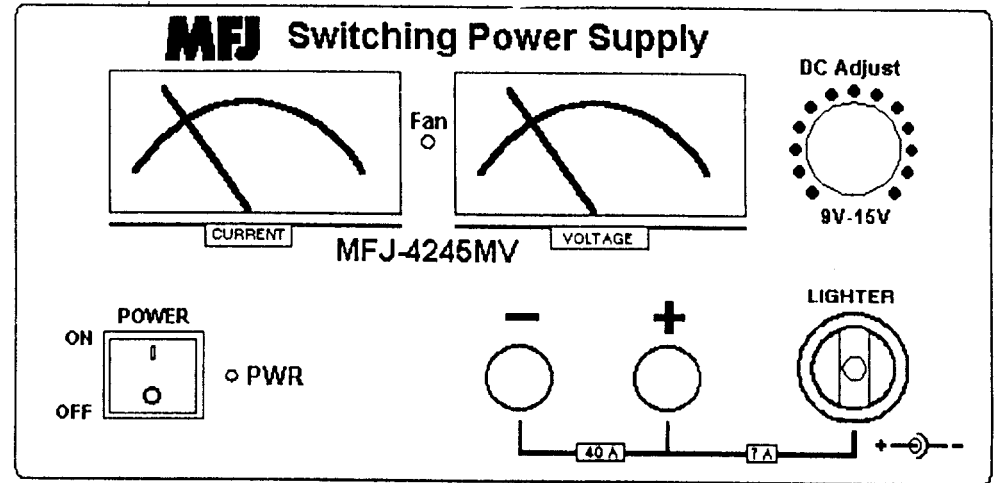
MFJ Enterprises, Inc. reserves the right to make changes or improvements in design or manufacture without incurring any obligation to install such changes upon any of the products previously manufactured.

All MFJ products to be serviced in-warranty or out-of-warranty should be addressed to MFJ Enterprises, Inc., 300 Industrial Park Road, Starkville, Mississippi 39759, USA and must be accompanied by a letter describing the problem in detail along with a copy of your dated proof-of-purchase.

This warranty gives you specific rights, and you may also have other rights which vary from state to state.

## MFJ Enterprises, Inc.

300 Industrial Park Rd  
Starkville, MS 39759 USA



### MFJ-4245MV MIGHTYLITE SWITCHING POWER SUPPLY

#### Specifications and Features:

- 45 Amps MAX, 40 Amps Continuous at 13.8 Vdc
- Front Panel Adjustable Voltage (9- 16 Vdc)
- Light weight, only 5.5 lbs.
- Compact, only 7 1/2" W x 4 3/4" H x 9" D
- Easy access output:
  - Five-Way binding post for HF/VHF radio
  - Cigarette Lighter Socket for mobile accessories
  - 2 Pair of quick connectors on back
- Over Voltage protection
- Over Current protection
- Automatic shut-down on fault load
- Lighted Dual Meters: Volt-meter and Amp-meter monitor load continuously.
- Quiet internal Cooling Fan with "Fan On" LED
- Input Voltage: Switchable AC input voltage
  - 110 Vac at 47-62 Hz
  - 220 Vac at 47-63 Hz
- Regulation: Works with AC input from 85 to 135 Vac or from 170 to 260 Vac.
- AC Line Fused (10 Amps)

# MFJ-4245MV Instruction Manual

Thank you for purchasing the MFJ MIGHTYLITE Deluxe Switching Power Supply. The MFJ-4245MV is designed to supply up to 45 amps maximum current or 40 amps continuous current at 13.8 Vdc.

## Installation:

Before plugging in the MFJ-4245MV in an AC outlet make sure that the proper input voltage is selected on the rear of the unit. Select 115 for 100/110/120 Vac operation.

The loads can be connected to either the 5-way binding posts, to the cigarette lighter socket, or to the quick connectors on the back. Note that any devices that require more than 7 amps must use the 5-way binding post outputs. The cigarette lighter socket output has a maximum output of 7 amps. The quick connector output has a maximum output of 5 amps.

## Operation:

**DC Adjust:** The DC adjustment control on the front panel is used to set the DC output voltage of the MFJ-4245MV from 9 volts to 16 volts DC. For most HF and VHF radios, set the output at 13.8 Vdc.

**FAN:** The cooling fan on the MFJ-4245MV will operate when the unit is turned ON. The speed of the fan varies depending on the setting of the DC Output.

**Meter Indicators:** The current meter on the MFJ-4245MV indicates the total current being drawn by the accessories connected to the power supply. The voltage meter on the MFJ-4245MV indicates the voltage set for the 5-way binding post output, the cigarette socket output, and the quick connector output. Both meters will be lit when the unit is turned ON. Note that the brightness of the meter lights varies depending on the setting of the DC adjustment control.

## Protection:

The MFJ-4245MV will automatically shut off if over 45 amps of current is drawn from its outputs. To reset, turn the unit OFF and wait 20 seconds, then turn the unit back on.

The MFJ-4245MV has a 250 volt, 10 amp fuse in the power cord connection on the back of the unit. The MFJ-4245MV has two slots for these fuses. The slot closest to the unit locks the fuse in place and then becomes part of the circuit. The slot at the rear of the tray is a place to store a spare fuse for emergency cases.

